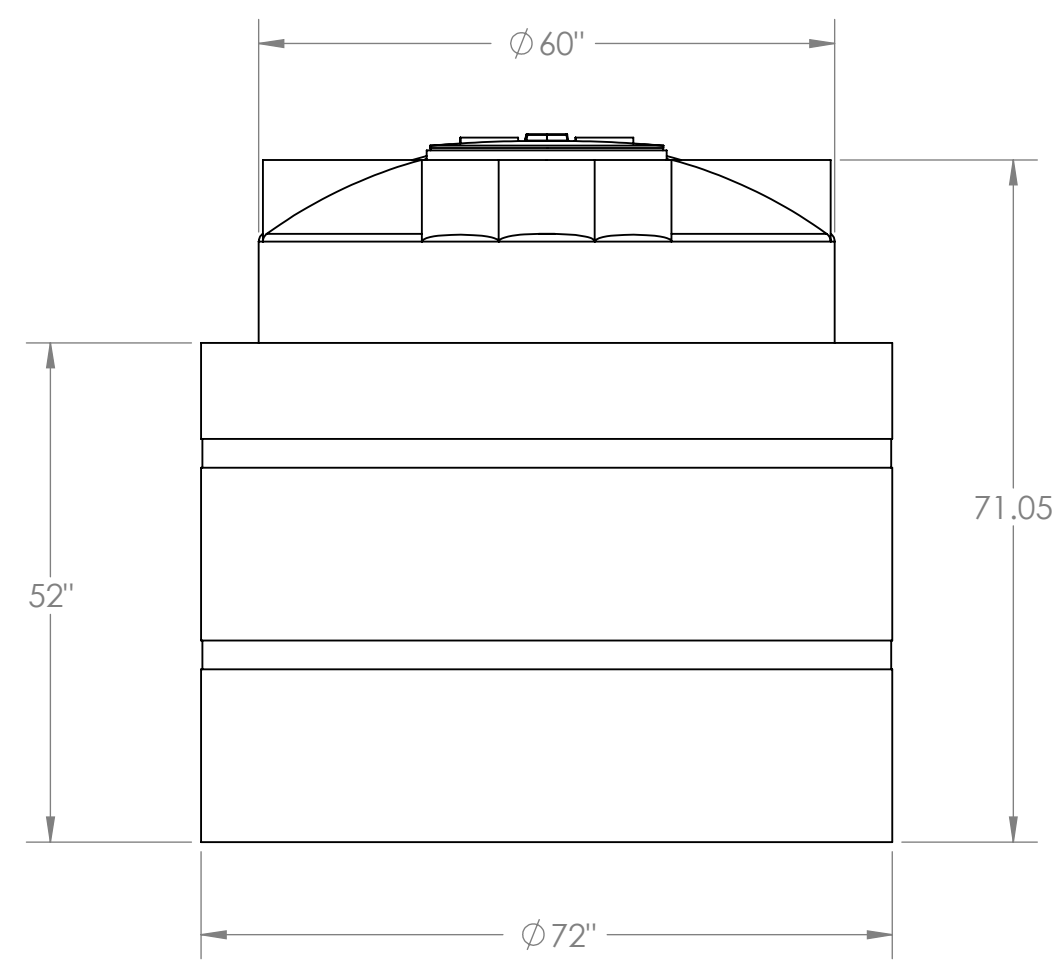
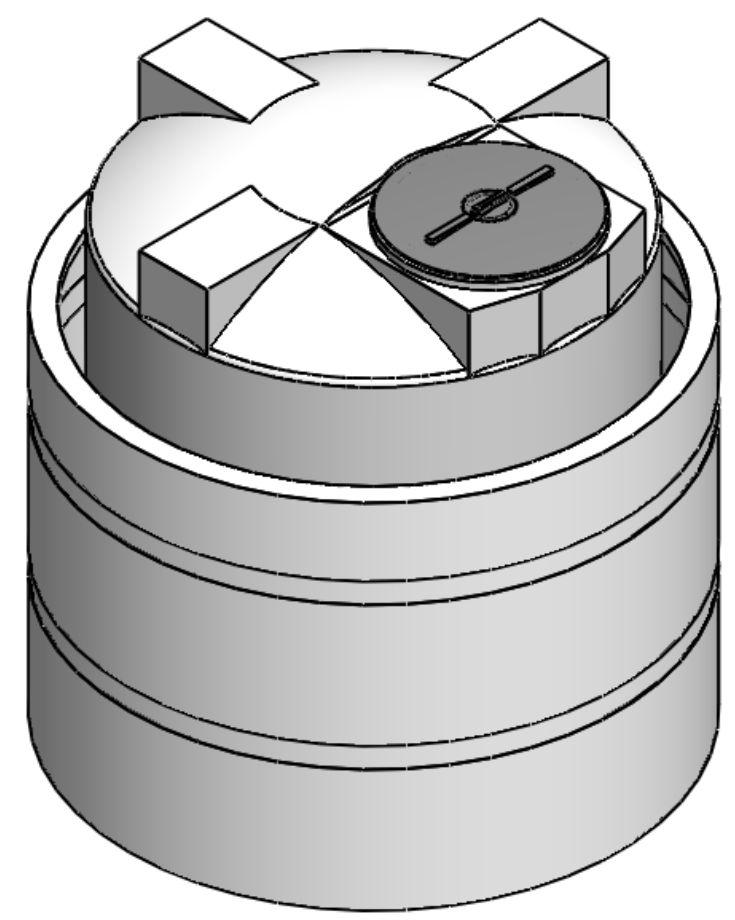
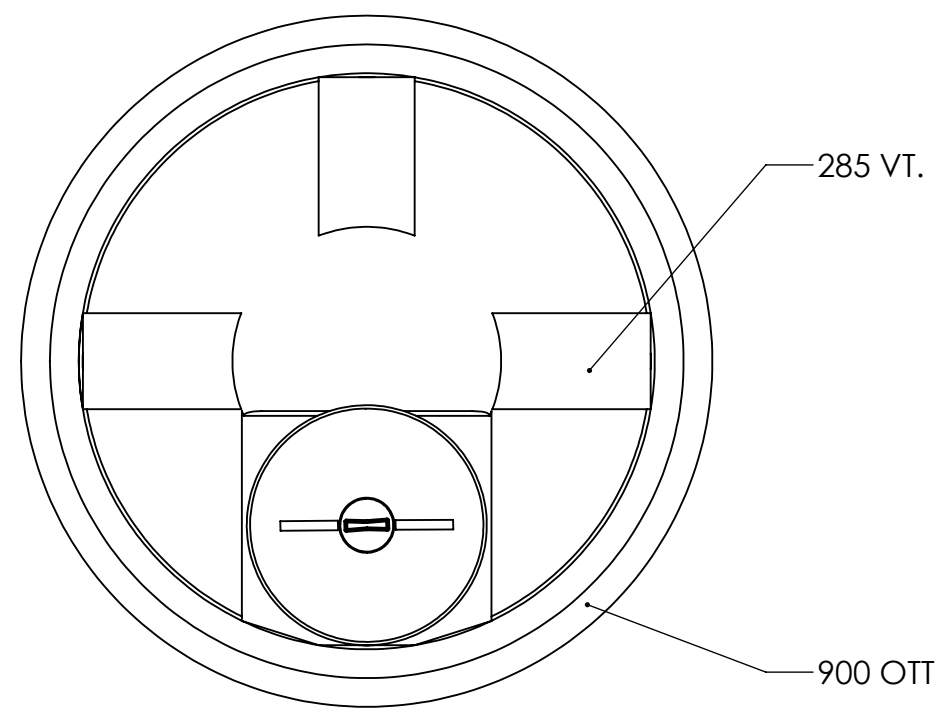


8 7 6 5 4 3 2 1

D  
C  
B  
A

D  
C  
B  
A



NOTES:

1. MATERIAL: HDPE
2. PRIMARY TANK. STD. = 1.5 S.G. 125 LBS.
3. CONTAINMENT STD. = 1.5 S.G. 120 LBS
4. SHIPPING WT. : 245 LBS.

**PROPRIETARY AND CONFIDENTIAL**  
 THE INFORMATION CONTAINED IN THIS DRAWING IS THE SOLE PROPERTY OF <INSERT COMPANY NAME HERE>. ANY REPRODUCTION IN PART OR AS A WHOLE WITHOUT THE WRITTEN PERMISSION OF <INSERT COMPANY NAME HERE> IS PROHIBITED.

		UNLESS OTHERWISE SPECIFIED:		NAME	DATE	CUSTOM ROTO-MOLDING, INC.	
		DIMENSIONS ARE IN INCHES		DRAWN	EBW	1-18-11	
		TOLERANCES:		CHECKED			TITLE:
		FRACTIONAL ±		ENG APPR.			825 VT - 900 OTT
		ANGULAR: MACH ± BEND ±		MFG APPR.			
		TWO PLACE DECIMAL ±		Q.A.			
		THREE PLACE DECIMAL ±		COMMENTS:			
		INTERPRET GEOMETRIC TOLERANCING PER:					
		MATERIAL					
		FINISH					
NEXT ASSY	USED ON						
APPLICATION		DO NOT SCALE DRAWING					
SIZE	DWG. NO.	REV					
<b>B</b>	825 VTWC						
SCALE: 1:32		WEIGHT:		SHEET 1 OF 1			

8 7 6 5 4 3 2 1